

La Poste

The French postal, telecoms and retail banking giant La Poste are currently undertaking a major transformation of their operations, spending €770m to revolutionise the delivery of their services.

The postal arm of La Poste has been a customer of Romec since this programme began in 2004, and Romec has supplied nearly 2,000 sorting frames of varying specifications over this period.

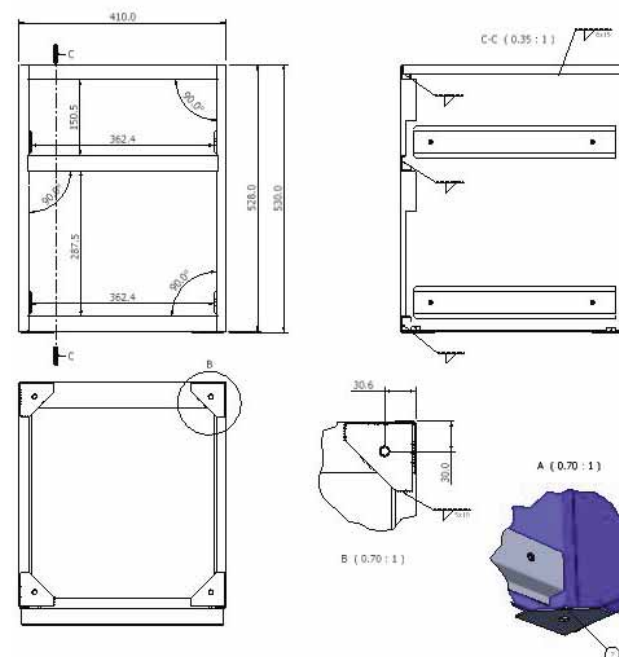
The innovation...

Romec's service provision to La Poste has not just been confined to the supply of standard products; we have worked closely with their technical and operational groups to develop designs to suit the specific needs of their business, and the differing climatic conditions encountered throughout the French mainland and overseas territories.

Working with French partner SavNetwork, Romec has successfully supplied, installed and commissioned products at over 80 offices to a demanding timescale and are continuing to fulfil orders for more.

The result...

Through our partnership with La Poste, Romec has shown how a capacity to design, build, install and project manage supports clients, wherever they operate in the world.



Nationwide Facilities Management Services